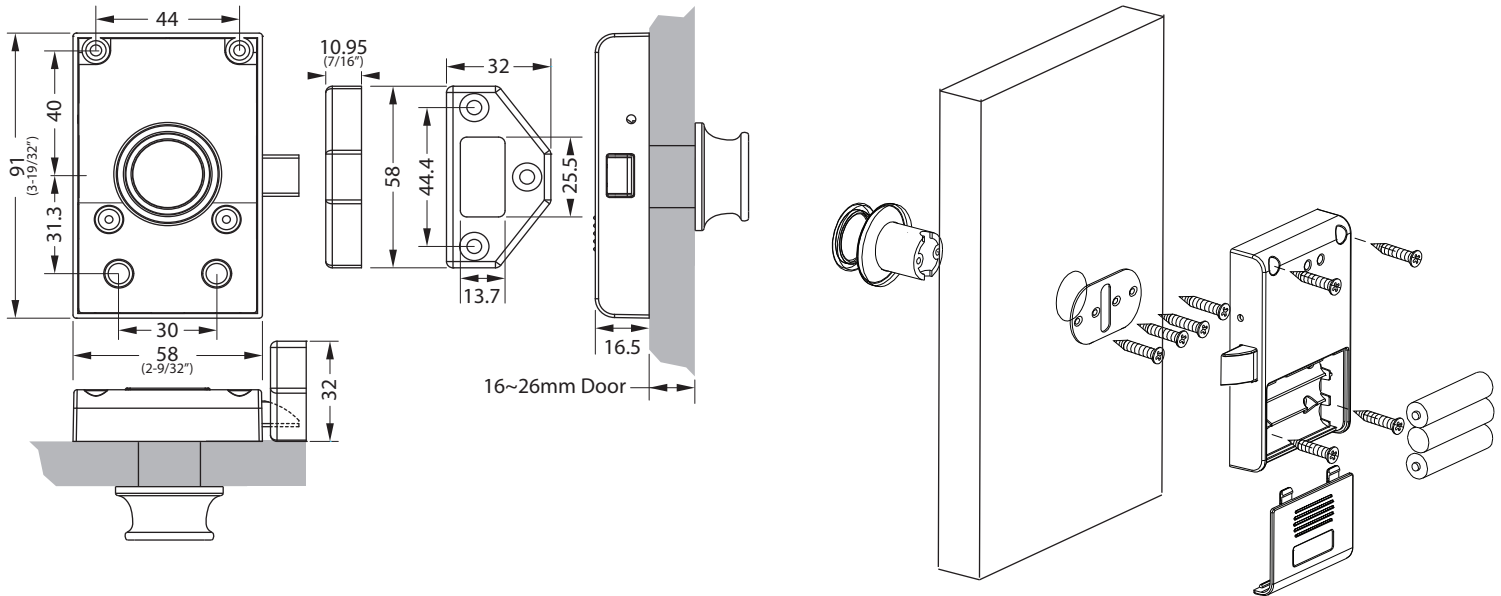
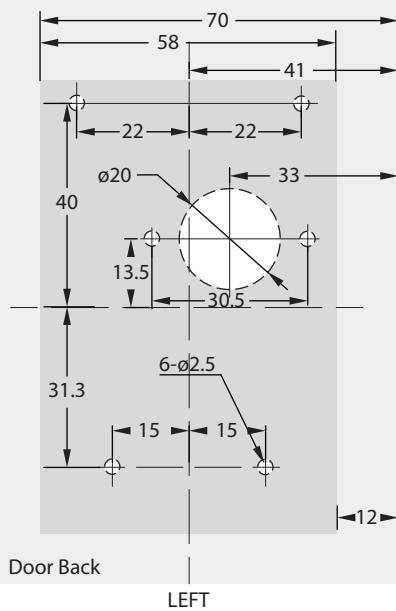


## Installation & Programming Guide

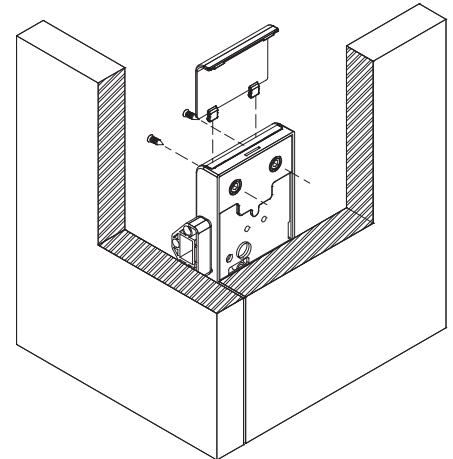
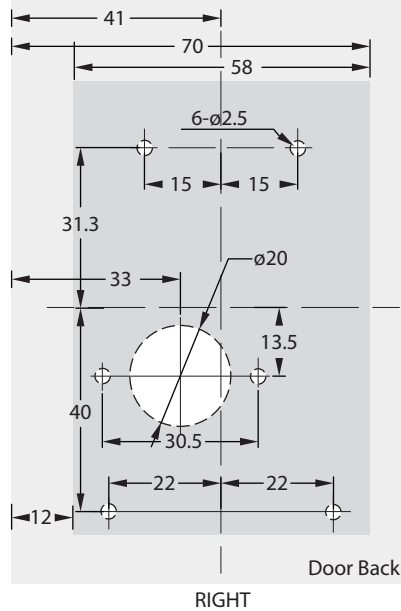
### DGL-RF-KNOB-SL



Drill boreholes from back of door



Drill boreholes from back of door



#### **MASTER USER:**

- Press **B** for 5 seconds
- Lock will flash blue light
- Tap management card against lock
- Lock will flash blue light again
- **Management card is set**

#### **USER CARD or SERVICE CARD:**

- Tap Management card to lock
- Lock will flash light
- While flashing, tap User card to lock
- Lock will flash light again
- **User card is set** (Can set multiple User cards at once)

#### **DELETING USER CARD or SERVICE CARD:**

- Place Management card to the lock
- A blue light will flash with a beep sound, indicating lock is open
- Place a User card to the lock
- Light will flash with a beep sound
- **User card is deleted when light goes off**

**A long beep sound with flashing red light indicated LOW BATTERY.**