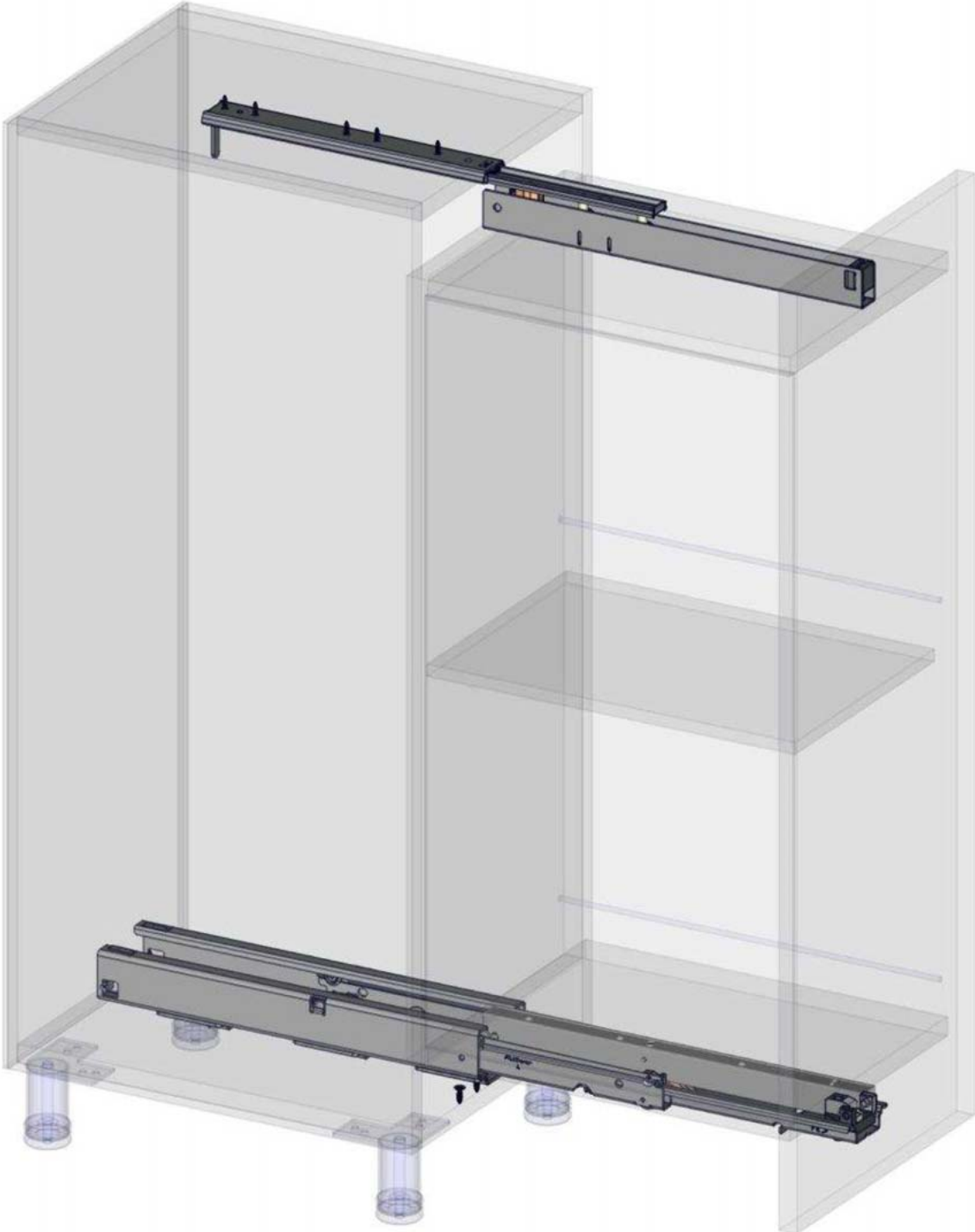


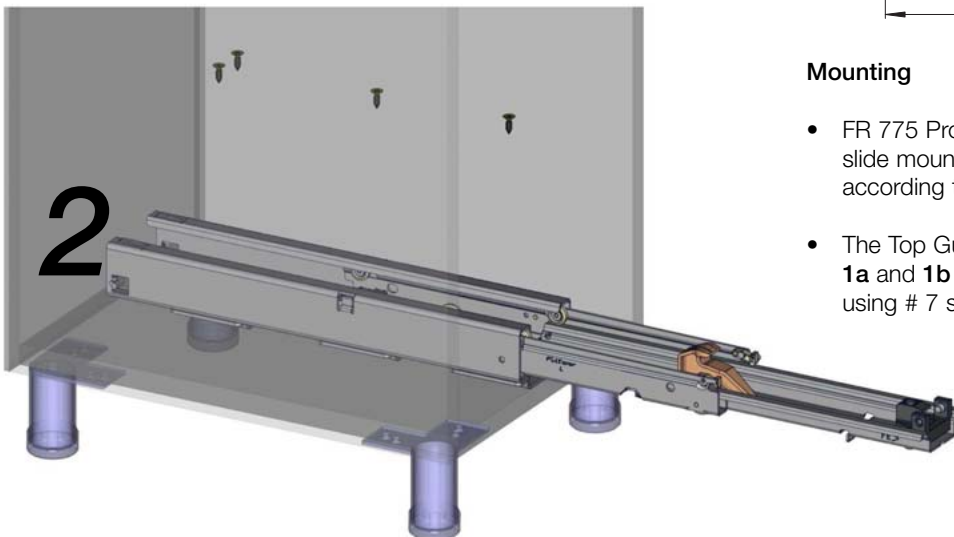
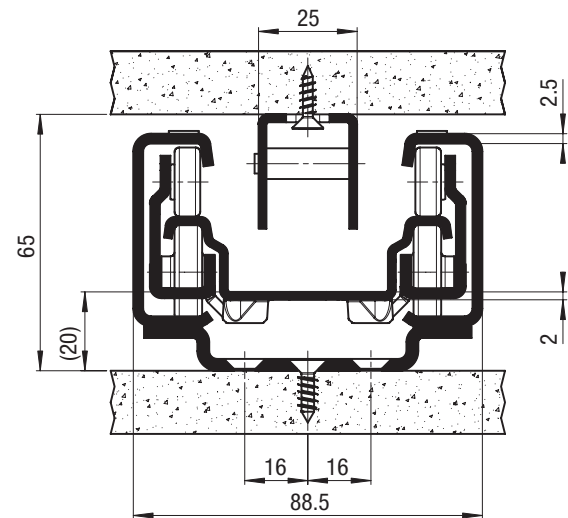
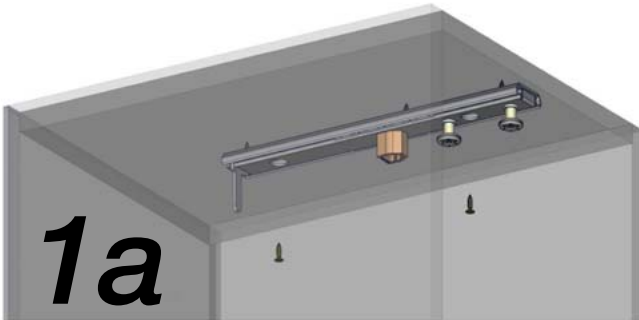
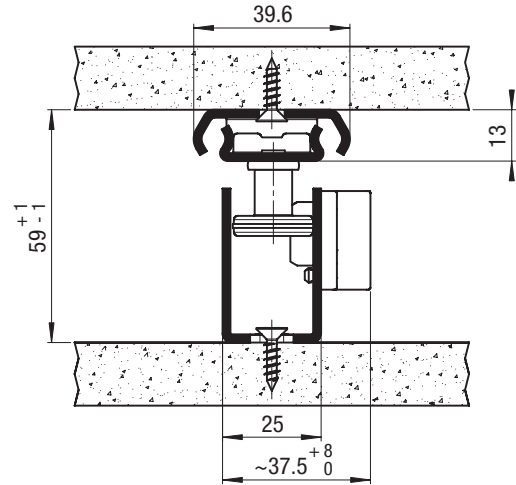
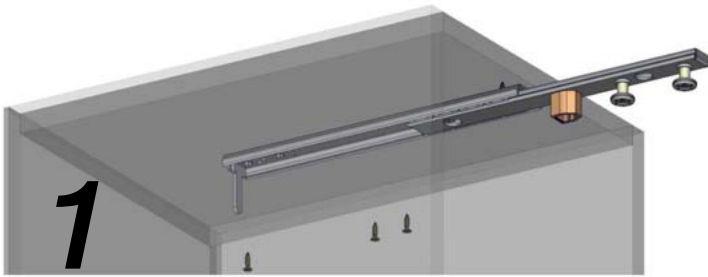
**Mounting Instructions**

**FR 775.ECD Progressive action full-extension pantry pullout, floor mount  
75 kg (175 lbs.) capacity, with matching top guide**



# Mounting Instructions

## FR 775.ECD

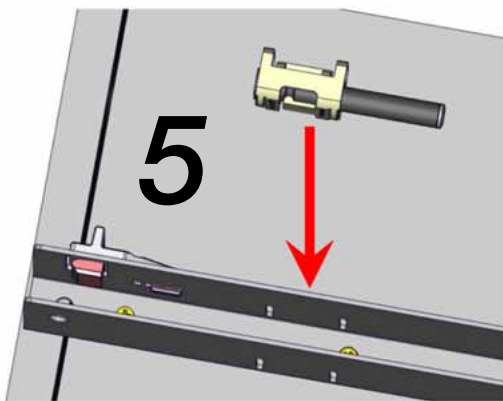
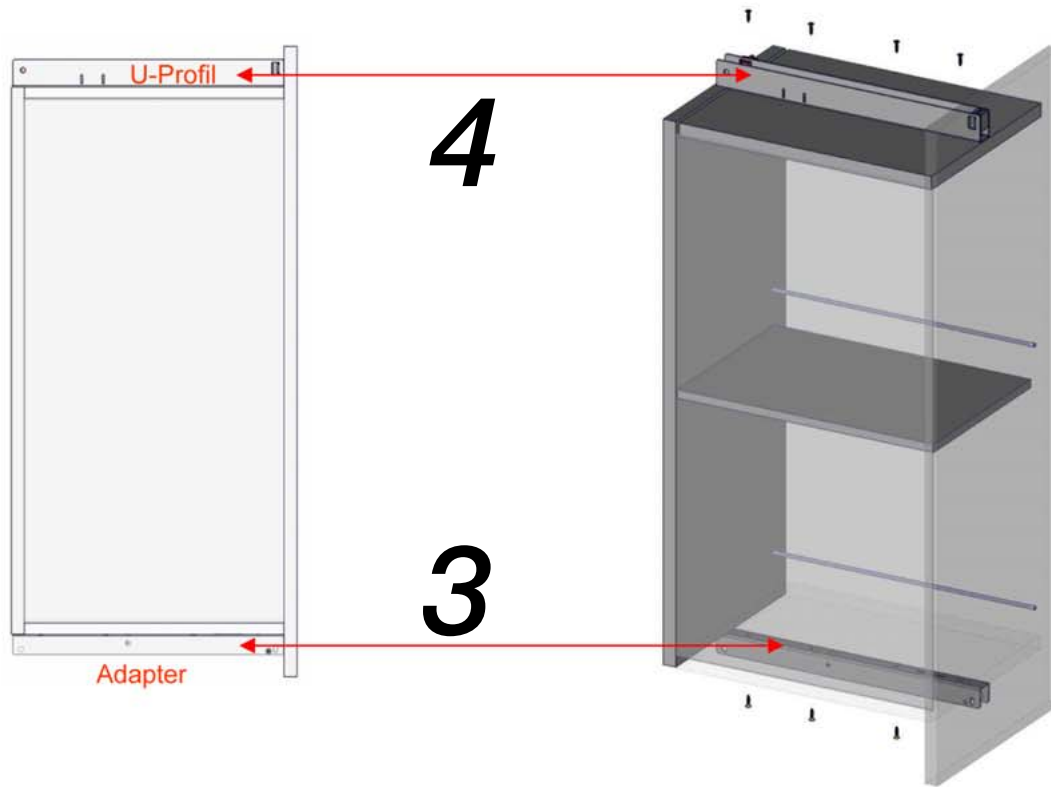


### Mounting

- FR 775 Progressive-Action Pantry-Pull out Drawer slide mounts in cabinet as per **drawing 2, 2a** and according to the **hole locations** using # 7 screws.
- The Top Guide mounts as per **drawings 1, 1a and 1b** and the **hole locations** using # 7 screws.

# Mounting Instructions

## FR 775.ECD

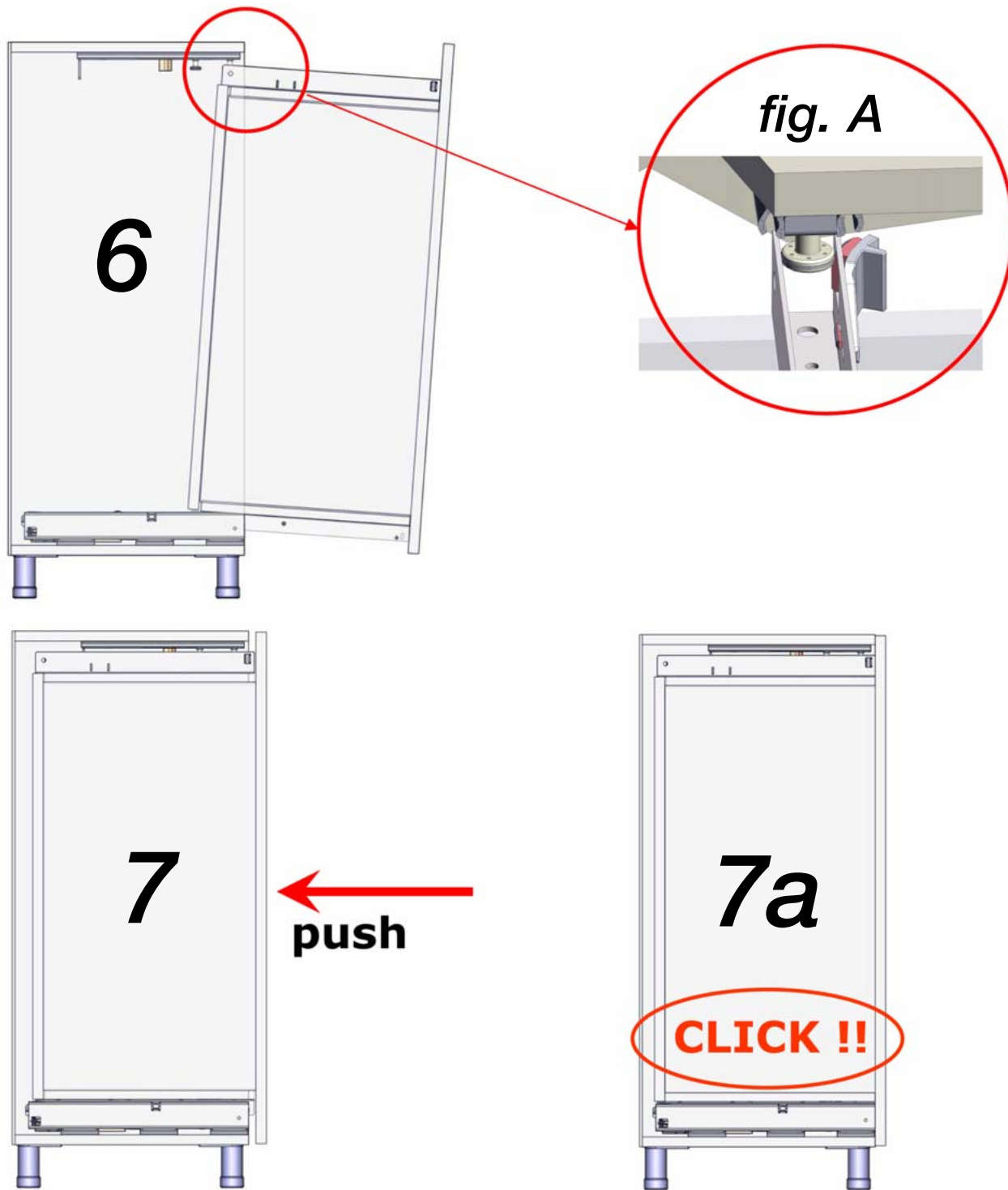


- The Adapter mounts as per **drawing 3** and **2a** and the **hole locations** using # 7 screws.
- The U-Profile of the Top Guide mounts as per **drawing 4** and **1b** and the **hole locations** using # 7 screws.
- Easy Close of the Top Guide clips in place as per **drawing 5** and **5a**.



# Mounting Instructions

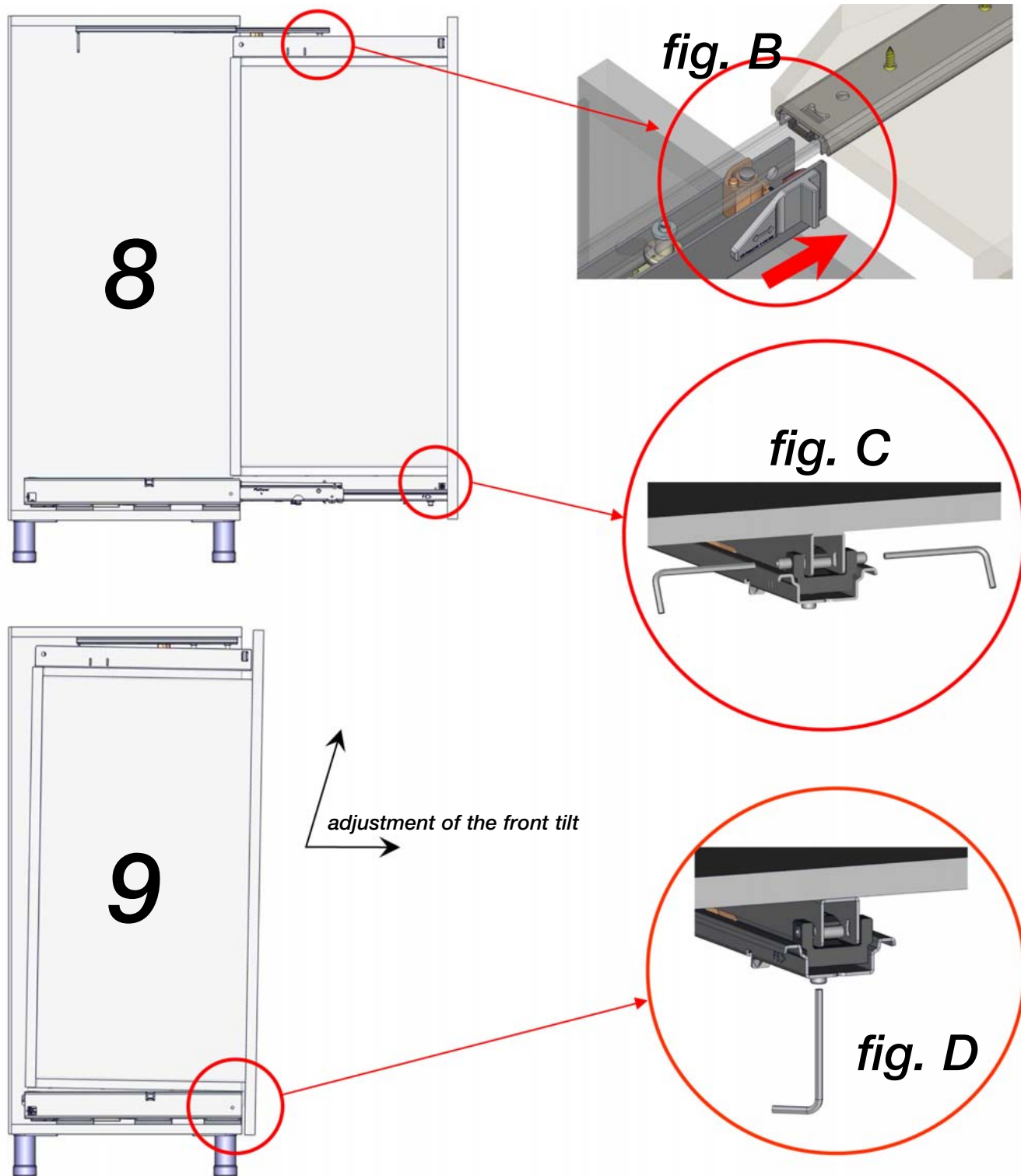
## FR 775.ECD



- Before you install your pull-out as per **drawing 6**, please ensure that the safety clip in the U-Profile of the Top Guide is open (**fig. A**)
- Insert the pull-out as per **drawing 7** and **7b** and push it to the end stop. The pushing resistance will increase in the last few millimeters because of the snap-in mounting method. You should hear a “click” when you pushed the pull-out all the way in.

## Mounting Instructions

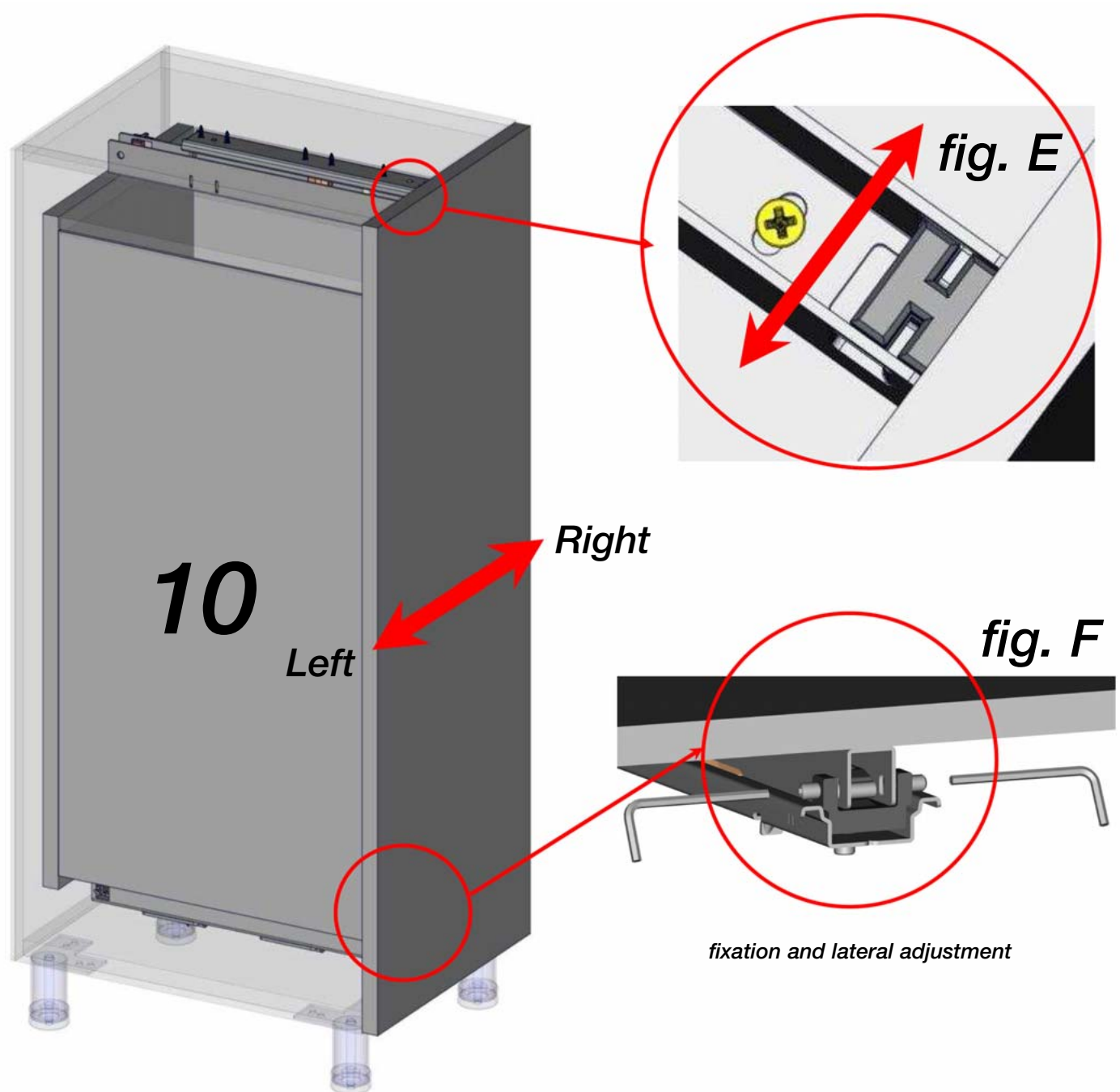
### FR 775.ECD



- Open the cabinet
- Close safety clip (**fig. B**) at the Top Guide as per **drawing 8**.
- Close Allen screws carefully secure the adapter (**fig. C**)
- The default setting of the tilt adjustment as per **drawing 9** is neutral. Adjustable range is  $\pm 3\text{mm}$  (**fig. D**) to adjust the front tilt vertically (**fig. 9**)

# Mounting Instructions

## FR 775.ECD

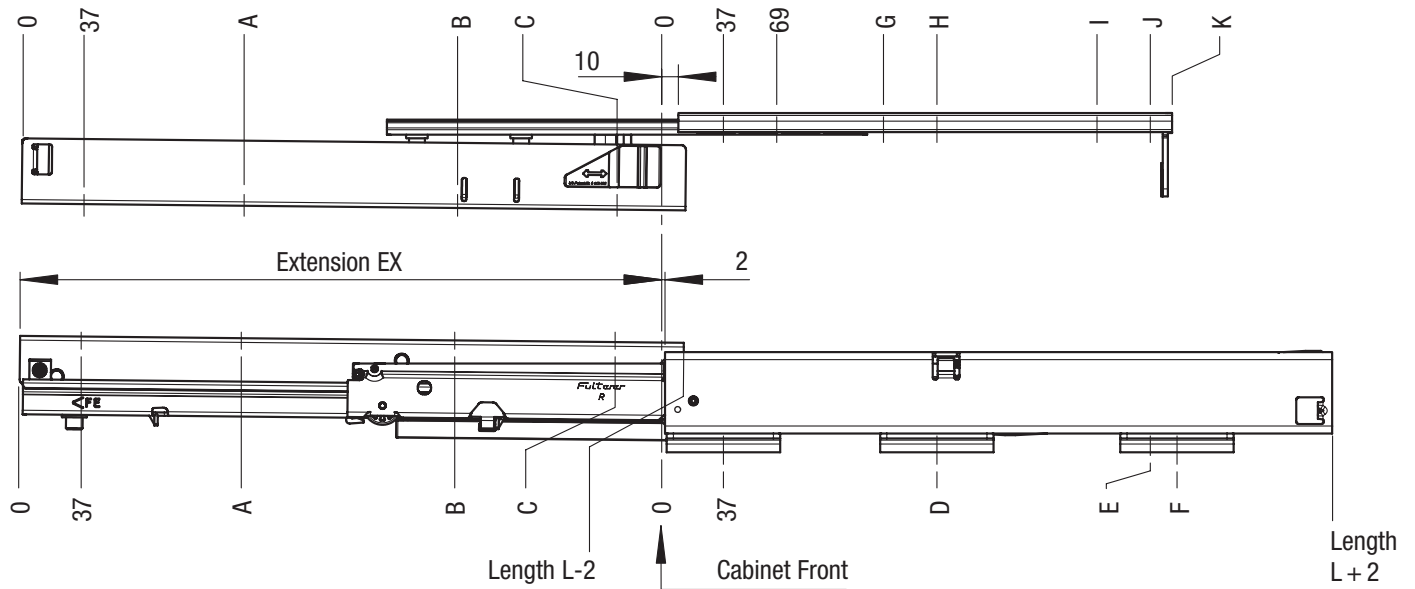


- Use the oblong hole in the U-profile of the Top Guide (**fig. E**) for the lateral adjustment of the pull-out as per **drawing 10**.
- Use the Allen screws in the bottom slide (**fig. F**) for the lateral adjustment of the pull-out as per **drawing 10**.  
**Note:** tighten screws firmly
- Do not lubricate any part of the FR 775

# Mounting Instructions

## FR 775.ECD

### Hole Locations



Length L	EX		A		B		C		D		E		F		G		H		I		J		K		Weight per set		Order No. white	
	mm	in	mm	in	mm	in	mm	in	mm	in	mm	in	mm	in	mm	in	mm	in	mm	in	mm	in	mm	in	kg	lbs		
400	15.75	385	15.16	133	5.24	261	10.28	357	14.06			293	11.54			133	5.24	165	6.50	261	10.21	293	11.54	306	12.05	4.90	10.78	4201
450	17.72	435	17.13	133	5.24	261	10.28	421	16.58				357	14.06	133	5.24	165	6.50	261	10.21	293	11.54	306	12.05	5.40	11.88	4202	
500	19.69	485	19.10	165	6.50	325	12.78	453	17.84				389	15.32	197	7.76	229	9.02	357	14.06	389	15.32	402	15.83	6.10	13.42	4203	
550	21.65	535	21.06	197	7.76	357	14.06	517	20.35				453	17.84	197	7.76	229	9.02	357	14.06	389	15.32	402	15.83	6.60	14.52	4204	
600	23.62	585	23.03	197	7.76	389	15.32	549	21.61	229	9.02		485	19.09	197	7.76	229	9.02	357	14.06	389	15.32	402	15.83	7.15	15.73	4205	
650	25.59	635	25.00	229	9.02	421	16.58	613	24.13	261	10.28		549	21.61	197	7.76	229	9.02	357	14.06	389	15.32	402	15.83	7.75	17.05	4206	
700	27.56	685	26.97	261	10.28	485	19.09	645	25.39	293	11.54		581	22.87	197	7.76	229	9.02	357	14.06	389	15.32	402	15.83	8.25	18.15	4207	
750	29.53	735	28.94	261	10.28	485	19.09	709	27.91	325	12.78		645	25.39	197	7.76	229	9.02	357	14.06	389	15.32	402	15.83	8.95	19.69	4208	

Packing Unit: 1 Set per box with mounting instructions