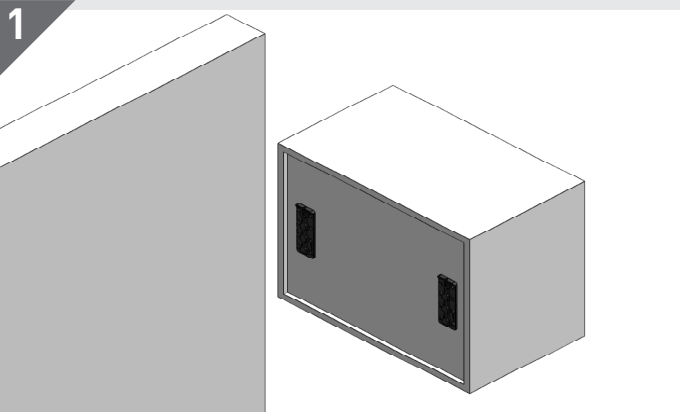
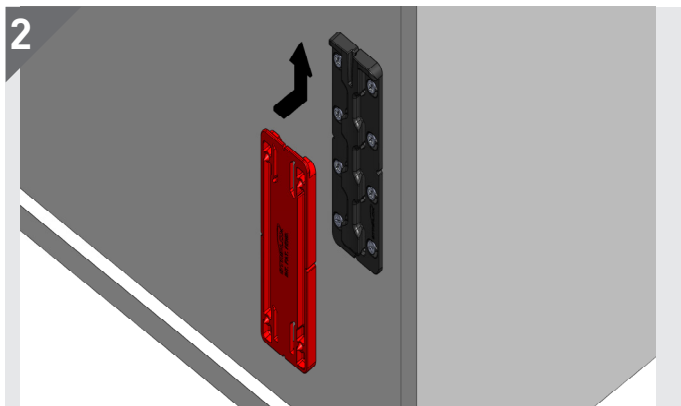


To be used in conjunction with the Striplox Pro 55 installation guide.

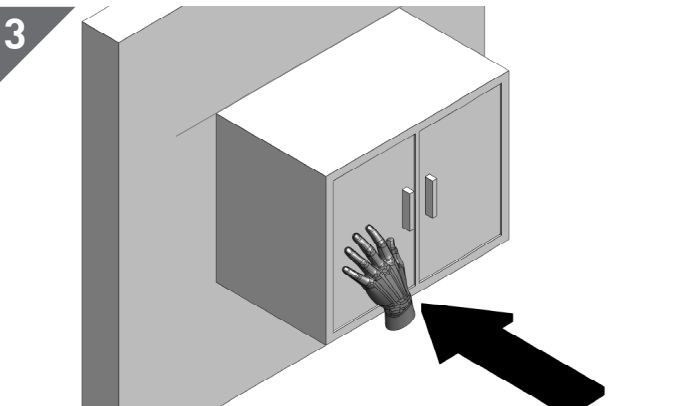


1 Attach male Striplox Pro 55 onto the object following Striplox Pro 55 installation guide. Use the female Striplox Pro 55 part on the wall.

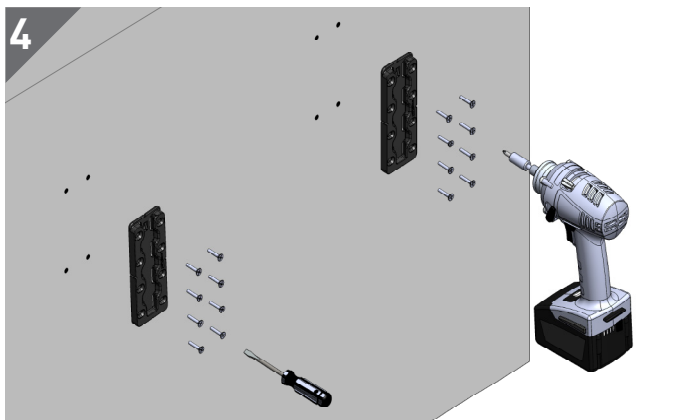
Material	Grivory GV
Colour	Red
Fixing Method	Slide to fit



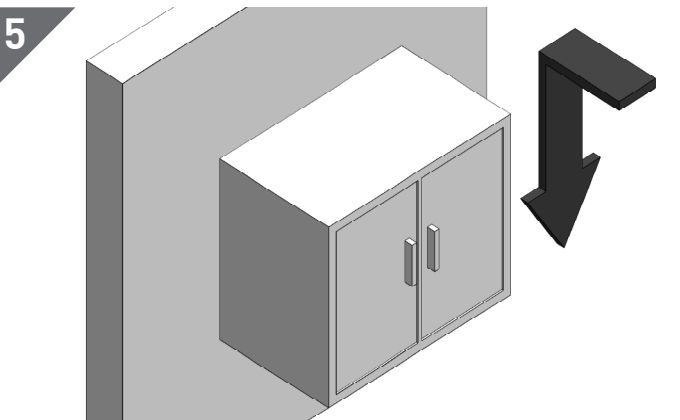
2 Attach the Striplox Pro 55 Jig onto the Striplox Pro 55 part by sliding into its fully locked position.



3 Position object and push against the wall firmly. The jig will indent the corner screw positions for the opposing Striplox Pro 55 part.



4 Fix the Striplox Pro 55 part into position using the indented markings using sufficient screws for satisfactory embedment. (note: dry wall mountings may need to be used)



5 Place the object onto the wall push and slide into position ensuring the parts have interlocked.